

Paper towel dispenser

- Paper towel dispenser.
- Surface mounted.
- Frontal content viewer.
- Security lock with key included.



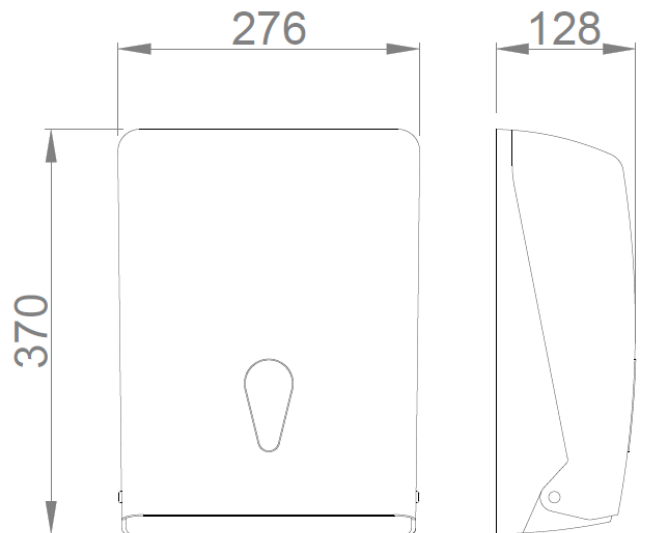
TECHNICAL DATA

- Made in black ABS and transparent SAN content viewer.
- Consumable: NOFER 06009.E.
- Capacity: 600 uses.
- Dimensions: 370 height x 276 width x 128 depth (mm).
- Weight (empty): 955 g.

SUGGESTED TEXT FOR PRESCRIPTION

NOFER paper towel dispenser, surface mounted, made in black ABS and transparent SAN toilet paper roll dispenser. Capacity: 600 uses. Dimensions: 370 height x 276 width x 128 depth (mm).

TECHNICAL DRAWING



DIMENSIONS IN mm



NOFER S.L.  
 Avenida de la fama, 118  
 08940 · Cornellà de Llobregat (Barcelona)  
 Tel +34 934 742 423 · Fax +34 934 743 548  
 export@nofer.com · www.nofer.com

Related Products



05118.W



05005.W



04020.W



04108.MINI.W



04010.S