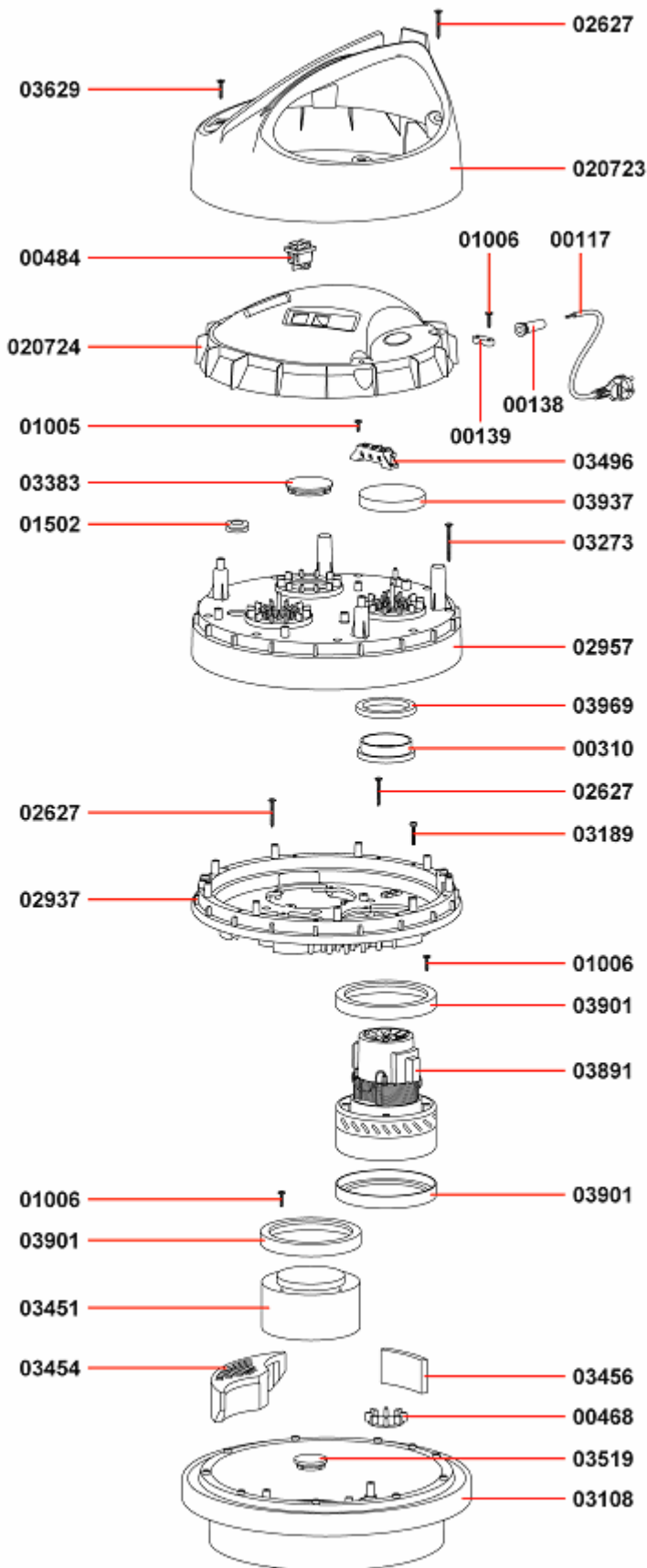




HEAD 429 2ST W/PLATE

021157/2P

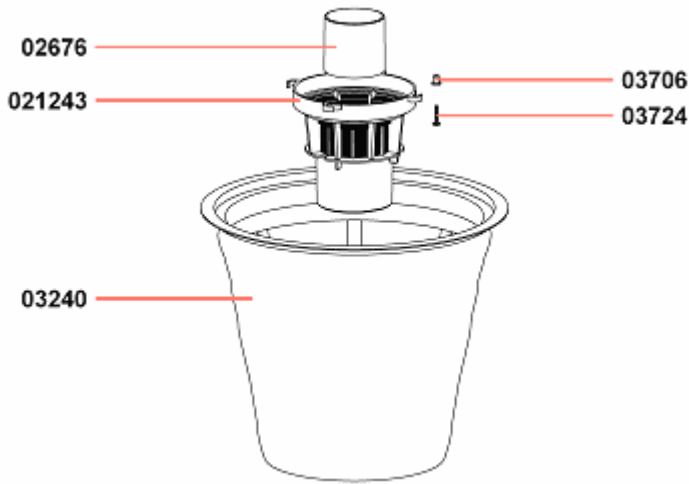


Codice	Descrizione	N°
00117	ELECTRIC CORD 2X1 MT.8,5	1,00
00138	FAIRLEAD	1,00
00139	CABLE CLAMP	1,00
00310	PLASTIC RING FOR MOTOR H=15	2,00
00468	AUTOMATIC VALVE	2,00
00484	ANTISPLASH RED LIGHT SWITCHER	2,00
01005	SCREW PAT TMT PHL 5X14 ZN BLACK	2,00
01006	SCREW PFU TMT PHL 5X20 BLACK	1,00
01006	SCREW PFU TMT PHL 5X20 BLACK	8,00
01006	SCREW PFU TMT PHL 5X20 BLACK	4,00
01502	GUIDING SLIT FOR QUICK COUPLING	1,00
020723G6	HANDLE WINDLY 600 DARK GREY	1,00
020724A2	COVER WINDLY 600 AR-2000	1,00
02627	SCREW PAT TMT PHL 5X40 BLACK	2,00
02627	SCREW PAT TMT PHL 5X40 BLACK	9,00
02627	SCREW PAT TMT PHL 5X40 BLACK	3,00
02937G6	MOTOR-FASTENER NEV.600 GREY 6000	1,00
02957G6	COVERING NEVADA 600 GREY 6000	1,00
03108 PA2	BASE 600/400 W/PLATE A2000 COMP	1,00
03189	SCREW M 5X30 UNI 7687	1,00
03273	SCREW PAT TMT PHL 5X55 BLACK	9,00
03383	COVERING CAP	1,00
03451	FEIGNED MOTOR	1,00
03454	ANTINOISE TRIANGLE H=51	3,00
03456	GASKET MTP/30 AU-AD 50X10X85	3,00
03496	TERM.BOARD 400-600 2MOT.	1,00
03519	BASE CAP	1,00
03629	SCREW PAT TMT PHL 5X25 BLACK	2,00
03891/E	MOT.BD302 1000W 220-240V 50-60HZ	2,00
03901	"L" GASKET W/O HOLES H=5,5	2,00
03901	"L" GASKET W/O HOLES H=5,5	2,00
03901	"L" GASKET W/O HOLES H=5,5	1,00
03937	FILTER MTP/65 H=15 D.95	2,00
03969	WASHER H8 D85X65	2,00
07632/PI L TP	ELECTRIC KIT 50CM POKE-IN MOTOR TP	2,00



COMPL.FILTRATION KIT 400 CONICAL

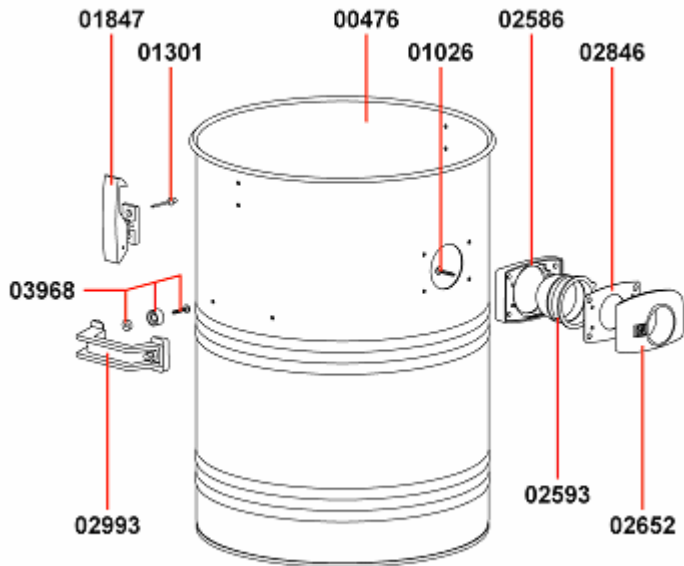
04246



Codice	Descrizione	N°
021243NE	NET ANTIFOAM BODY HIGH	1,00
02676-1 G	HIGH FLOAT 99 W/GASKET 37 SHA	1,00
03240 SAN	KIT RING+FILT+BASK.400 CONIC.SAN	1,00
03706	PLASTIC SLEEVE D.8	4,00
03724	SCREW PAT TMT PHL 5X25	4,00

TANK 400 A430 R G6A2/G6/G6 STD COM

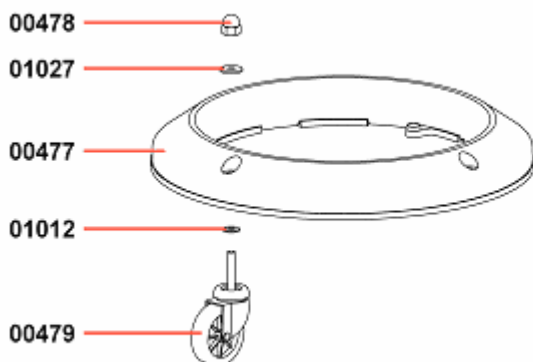
00874 G6 A2



Codice	Descrizione	N°
00476 C/R	TANK 400 AISI 430	1,00
01026	SCREW PAT TMT PHL 5X30 BLACK	4,00
01301	RIVET 5X11	4,00
01847/SG6	COMPLETE PLASTIC HOOK GREY6000	2,00
02586G6	GASKET R 205 GREY 6000	1,00
02593	DEFLECTOR 99	1,00
02652 AG6 A2	INLET R155 G6000 W/PUSH BOTT.AR2000	1,00
02846	GASKET D.38	1,00
02993-1G6	GREY 6000 HANDLE	2,00
03968	COMPLETE SEAL W/SCREW L=25	4,00

COMPLETE TROLLEY BASE 400 BLACK

00876 BASE



Codice	Descrizione	N°
00477NE	BODY TROLLEY 400 BLACK	1,00
00478	NUT M 10	4,00
00479	FRONT WHEEL	4,00
01012	WASHER M 10	4,00
01027	WASHER M 10X30X2,5	4,00