

# R 53-1100 / Ultra High-Speed

## Contents

Stand: 31.03.2017 17:04



R 53-1100

Stieloberteil  
Partie supérieure en avant  
Top part front side  
**B 7 / ST 7**

Sprühgerät  
Vaporisateur  
Spray unit  
**B 8 / ST 8**

Stromlaufplan  
Diagramme électrique  
Wiring diagram  
**B 9 / ST 9 - bis, à des, up to Masch.Nr.8239**  
**B 10/ST 10 - ab, à partir, as from mach.no.8240**

Absaugung kompl.  
Anneau d'aspiration compl.  
Vacuum complete  
**B 11 / ST 11**

Motor  
Moteur  
**B 1 / ST 1**

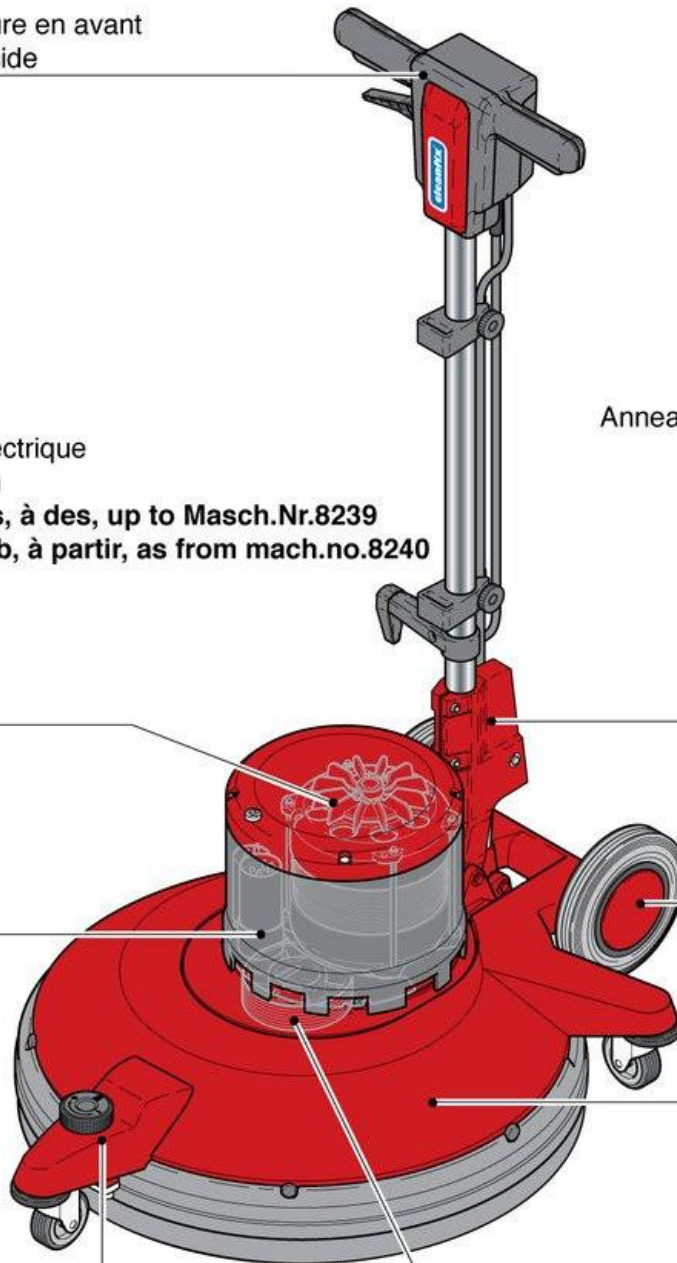
Deichselverstellung  
Timon  
Shaft  
**B 4 / ST 4**

Elektronik  
Electronique  
Electronic  
**B 3 / ST 3**

Gehäuse und  
Fahrwerk  
Carter et train de  
transport  
Housing and  
drive axle  
**B 5 / ST 5**

Höhenverstellung und  
Pad-Antriebsscheibe  
Reglage de hauteur et  
plateau d'entraînement  
Height adjustment and  
pad holder  
**B 6 / ST 6**

Antrieb  
Transmission  
Drive  
**B 2 / ST 2**



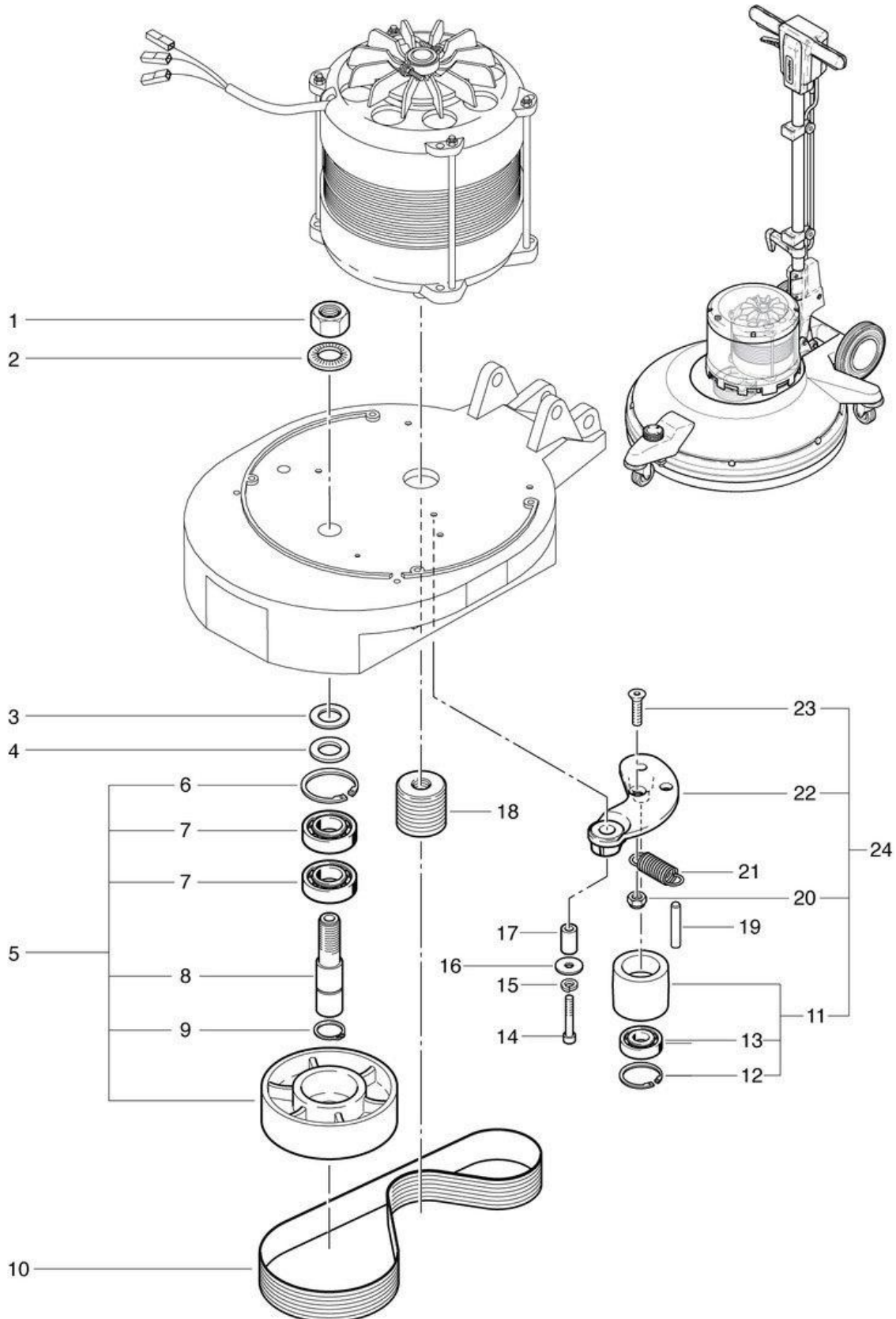
# R 53-1100 / Ultra High-Speed

## Drive

Stand: 31.03.2017 17:05



R 53-1100/1500



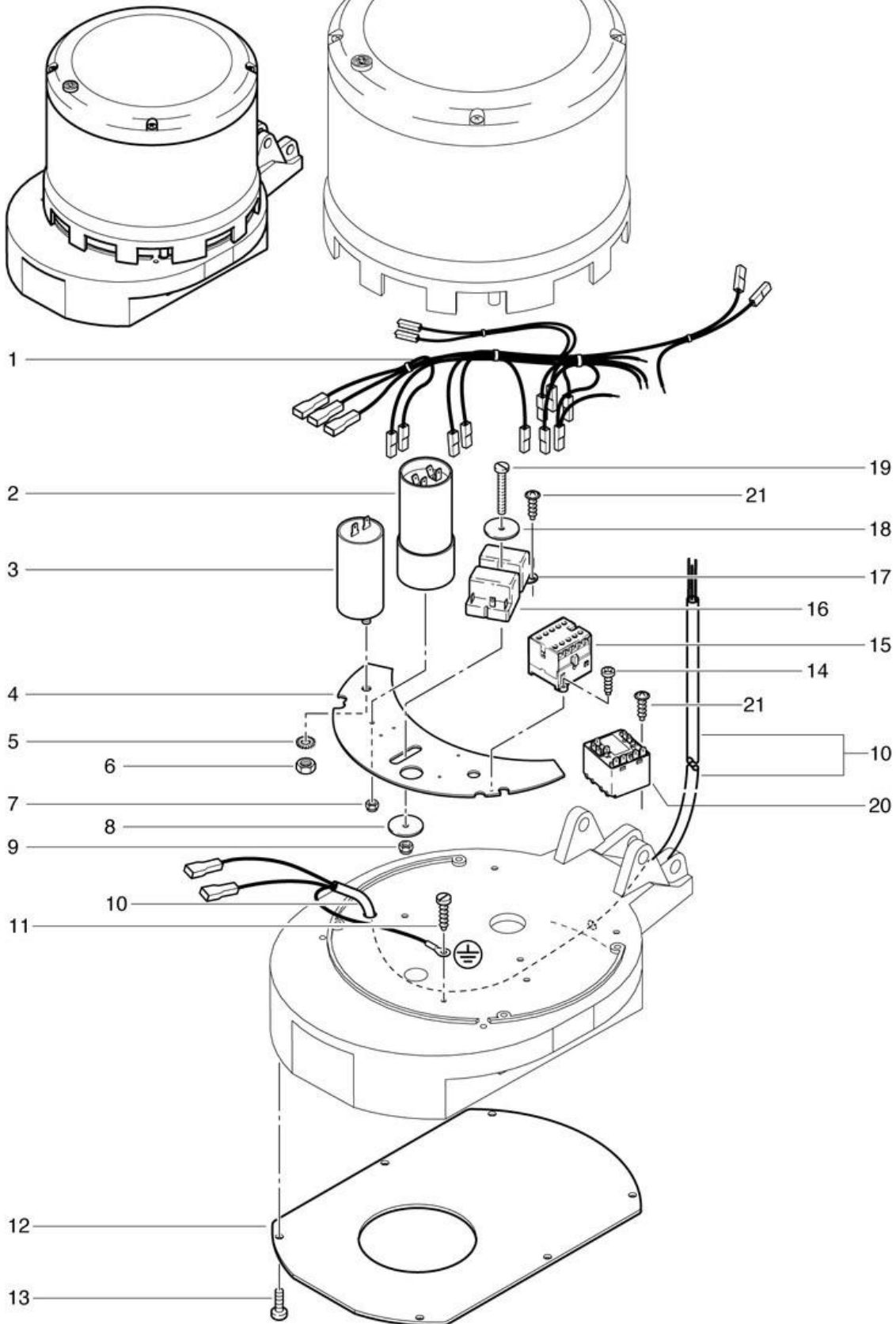
# R 53-1100 / Ultra High-Speed

## Electronic

Stand: 31.03.2017 17:05



R 53-1100



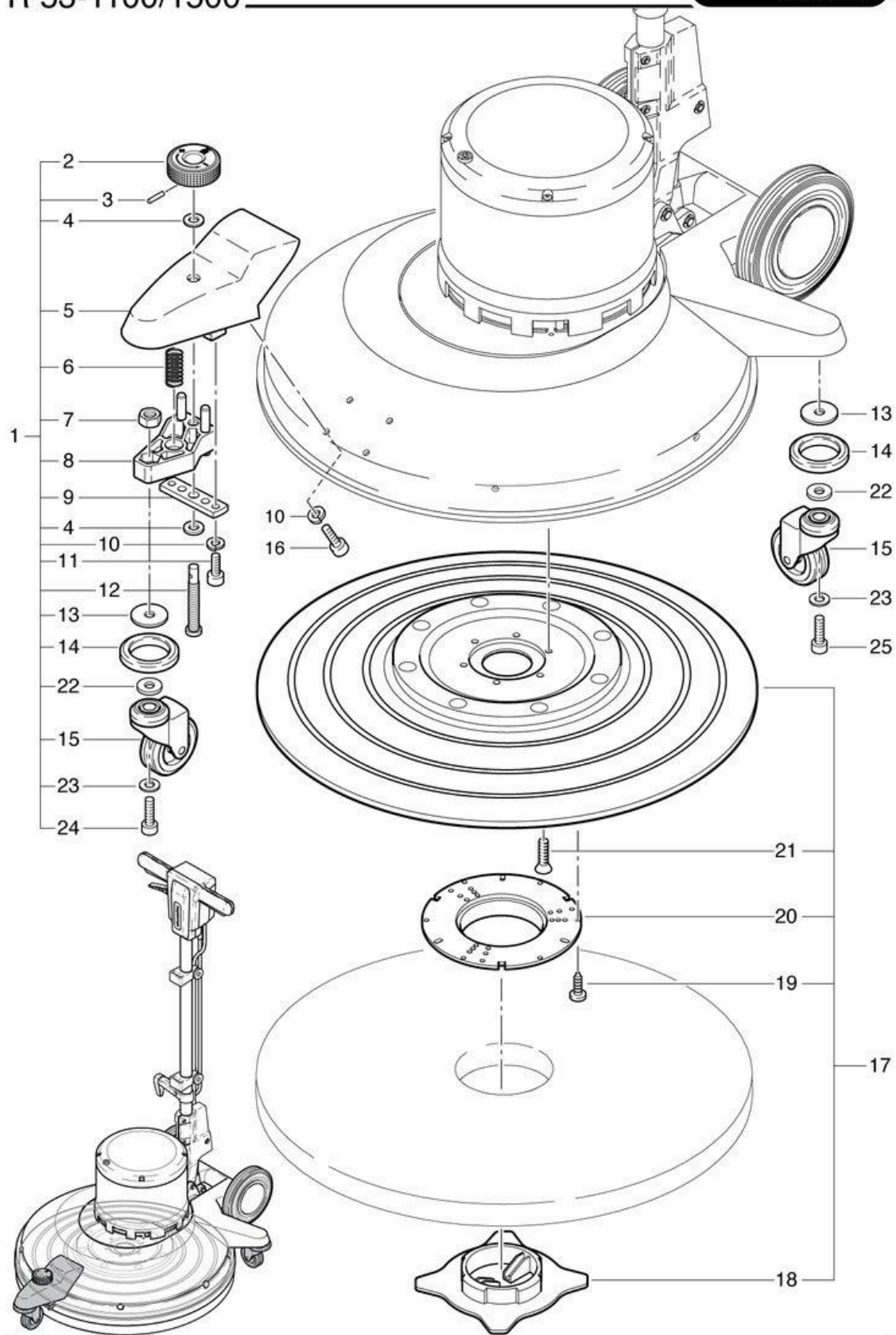
# R 53-1100 / Ultra High-Speed

## Height adjustment and pad holder

Stand: 31.03.2017 17:05



R 53-1100/1500



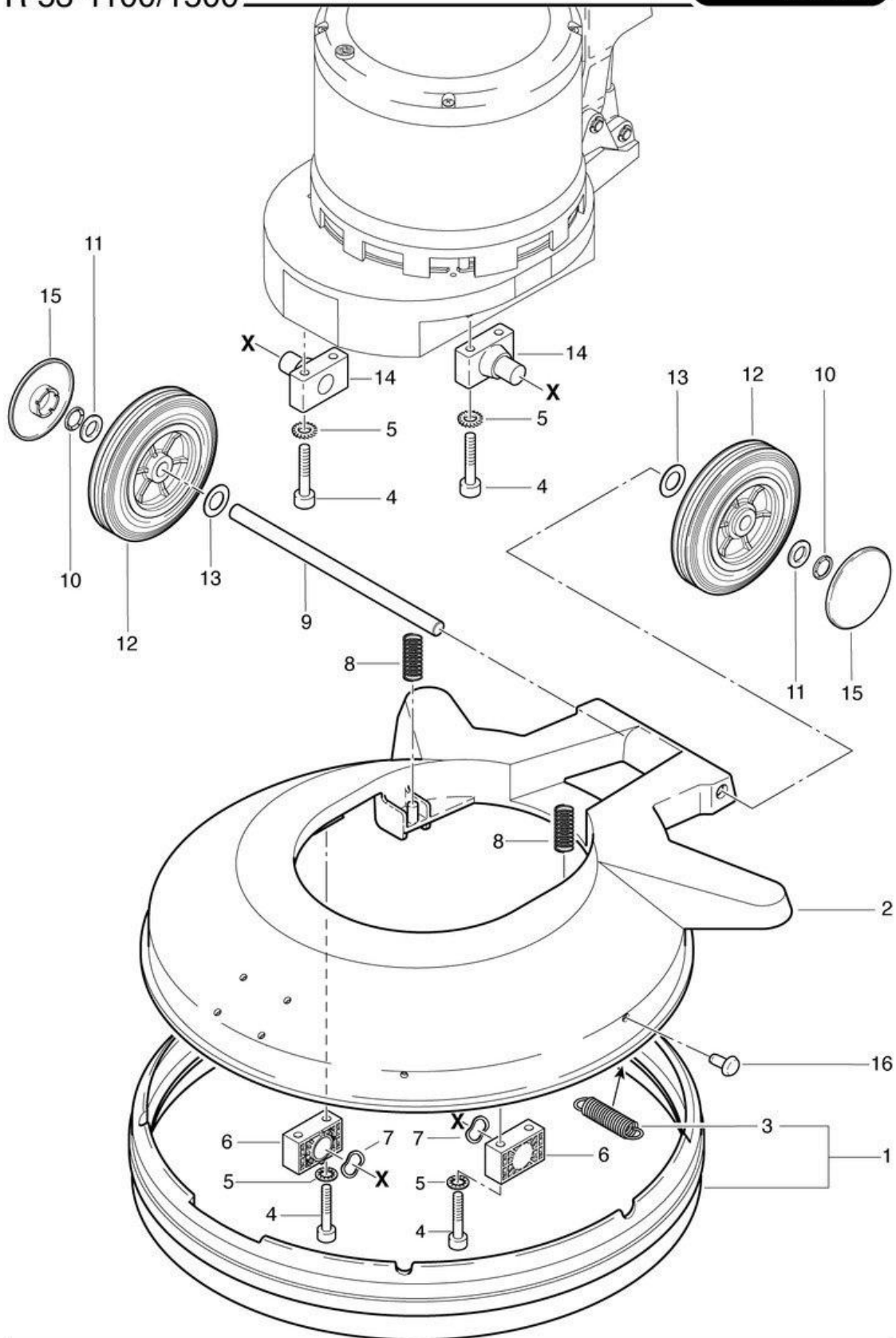
# R 53-1100 / Ultra High-Speed

## Housing and drive axle

Stand: 31.03.2017 17:05



R 53-1100/1500



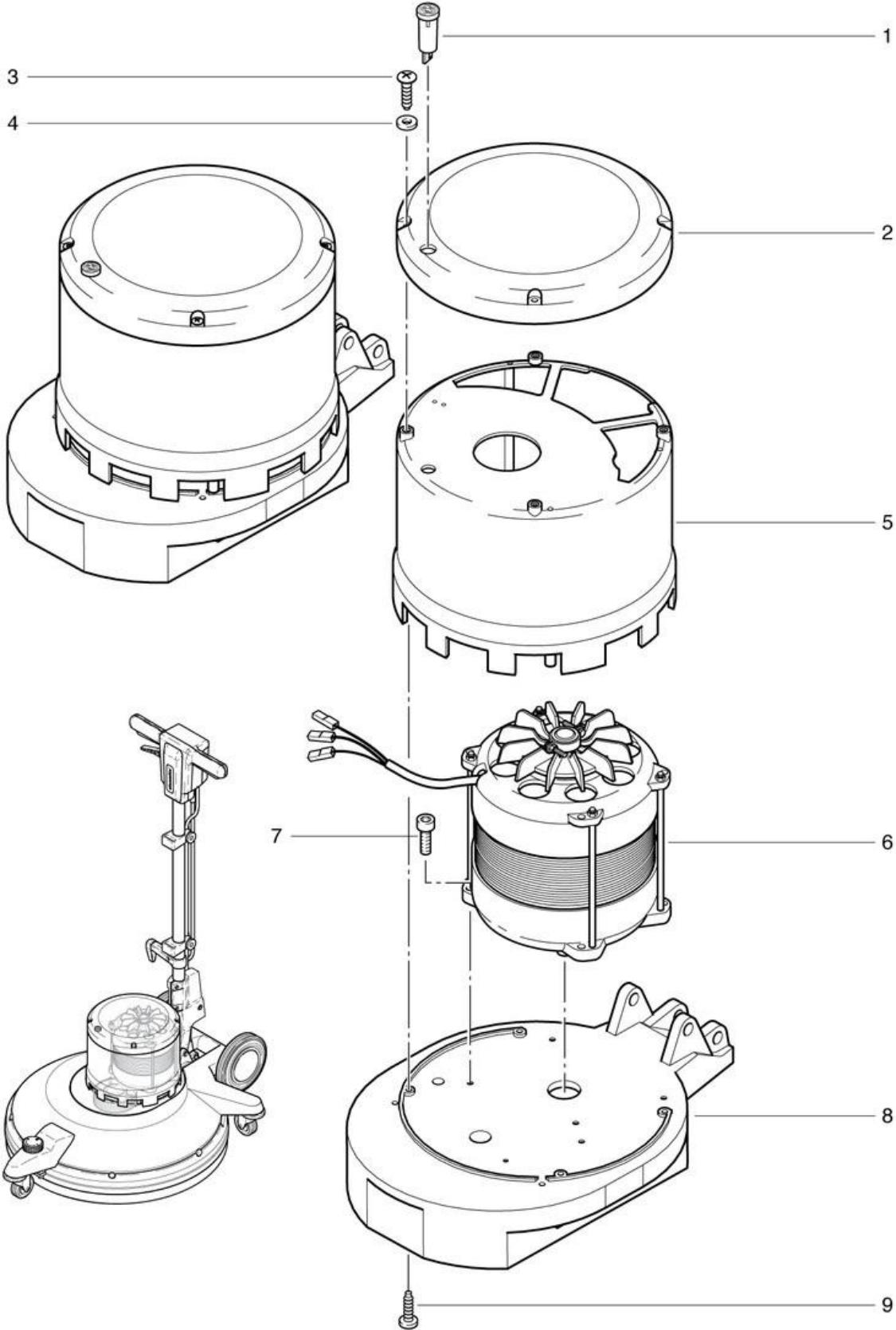
# R 53-1100 / Ultra High-Speed

## Motor

Stand: 31.03.2017 17:04



R 53-1100/1500



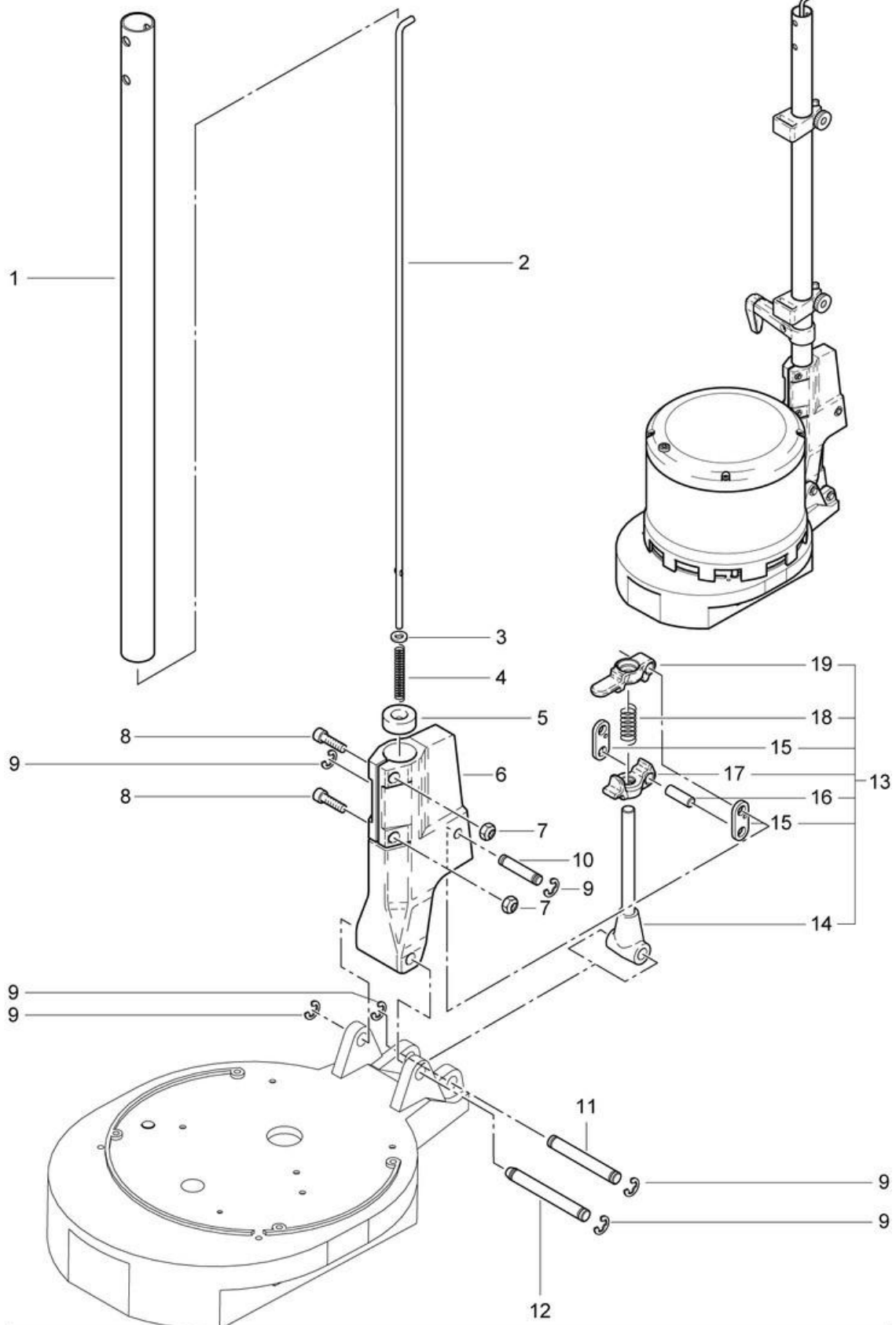
# R 53-1100 / Ultra High-Speed

## Shaft

Stand: 31.03.2017 17:05



R 53-1100/1500

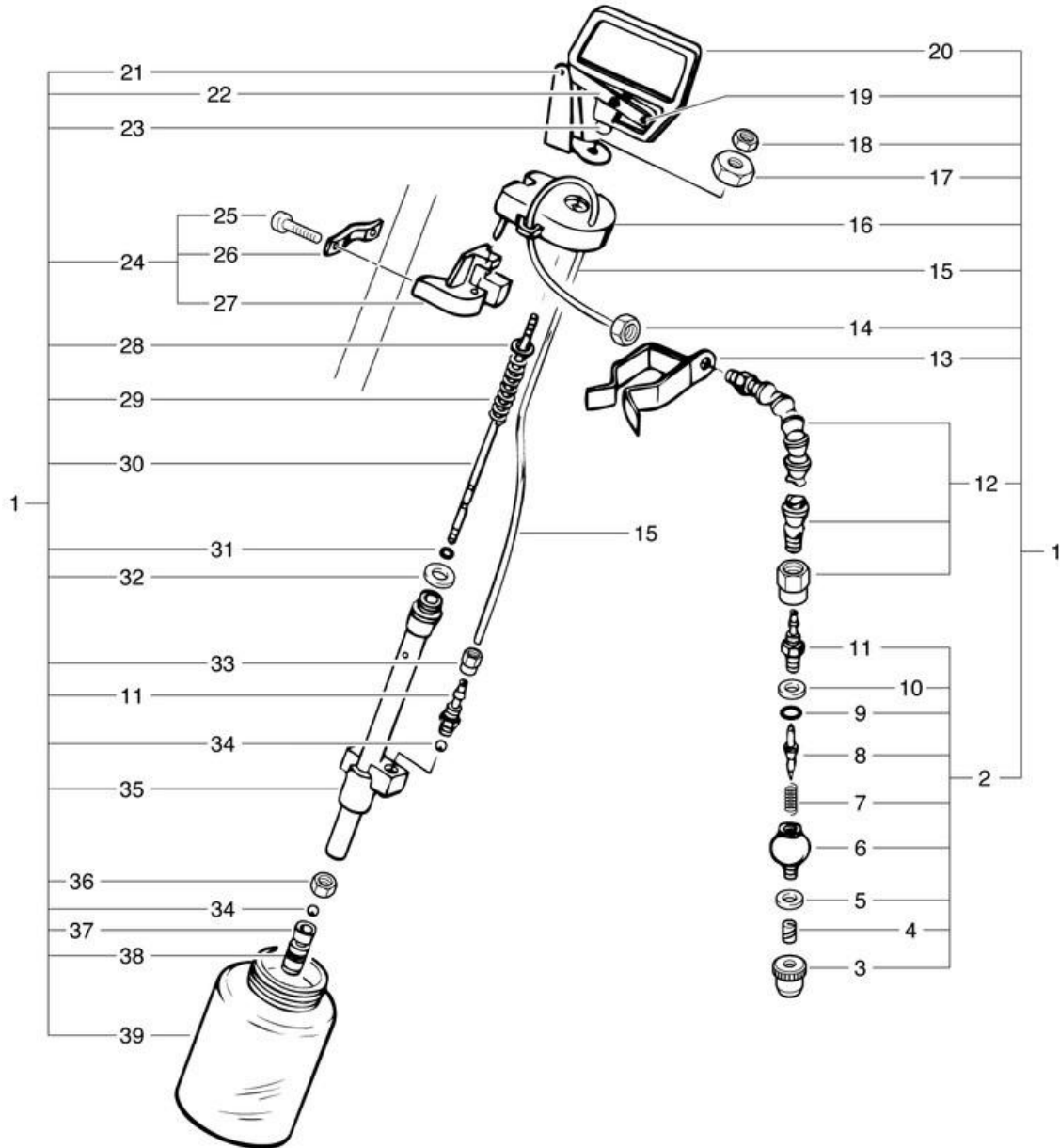


# R 53-1100 / Ultra High-Speed

## Spray unit

Stand: 31.03.2017 17:06

R 53-1100/1500

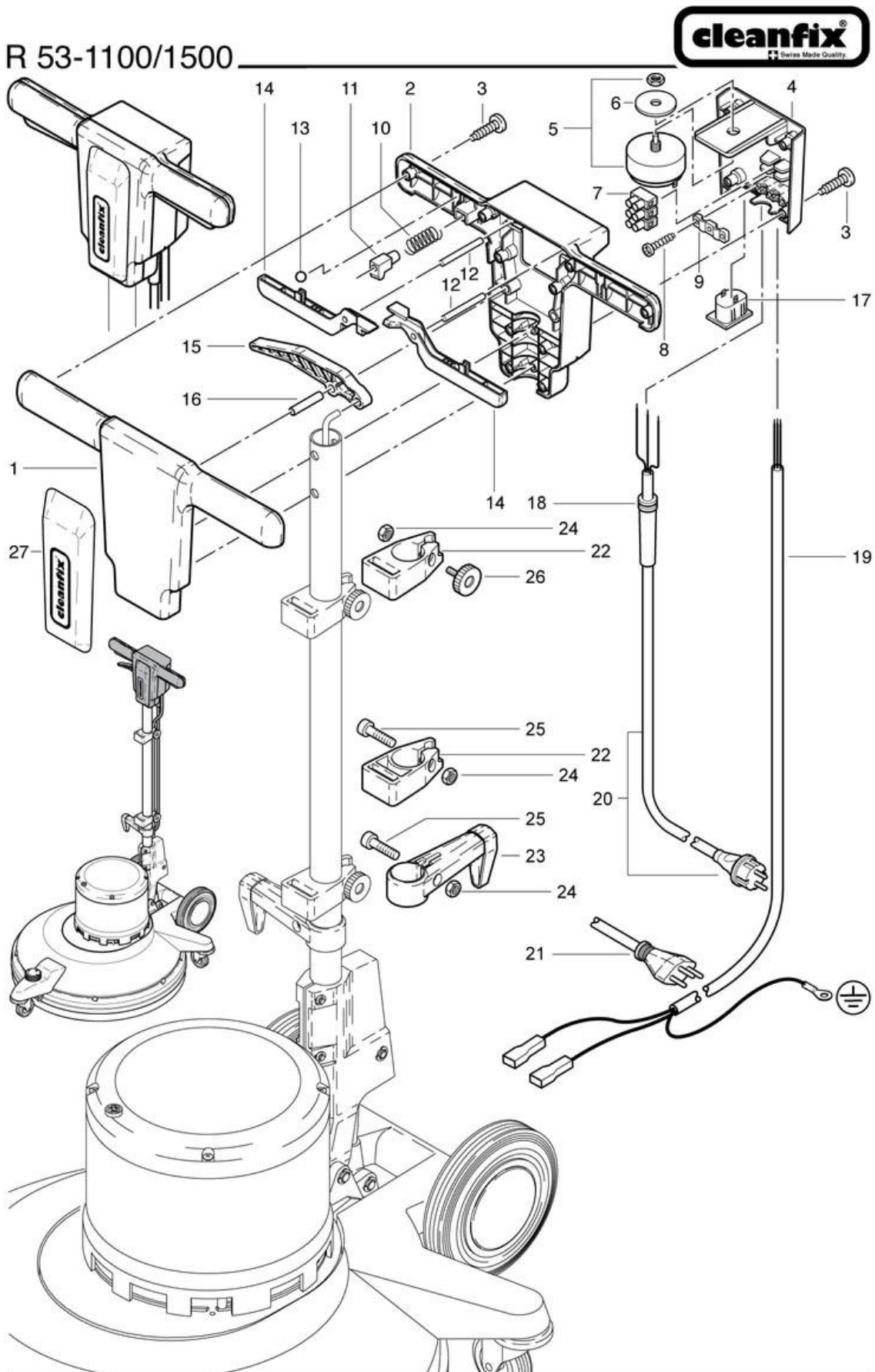




# R 53-1100 / Ultra High-Speed

## Top part front side

Stand: 31.03.2017 17:05

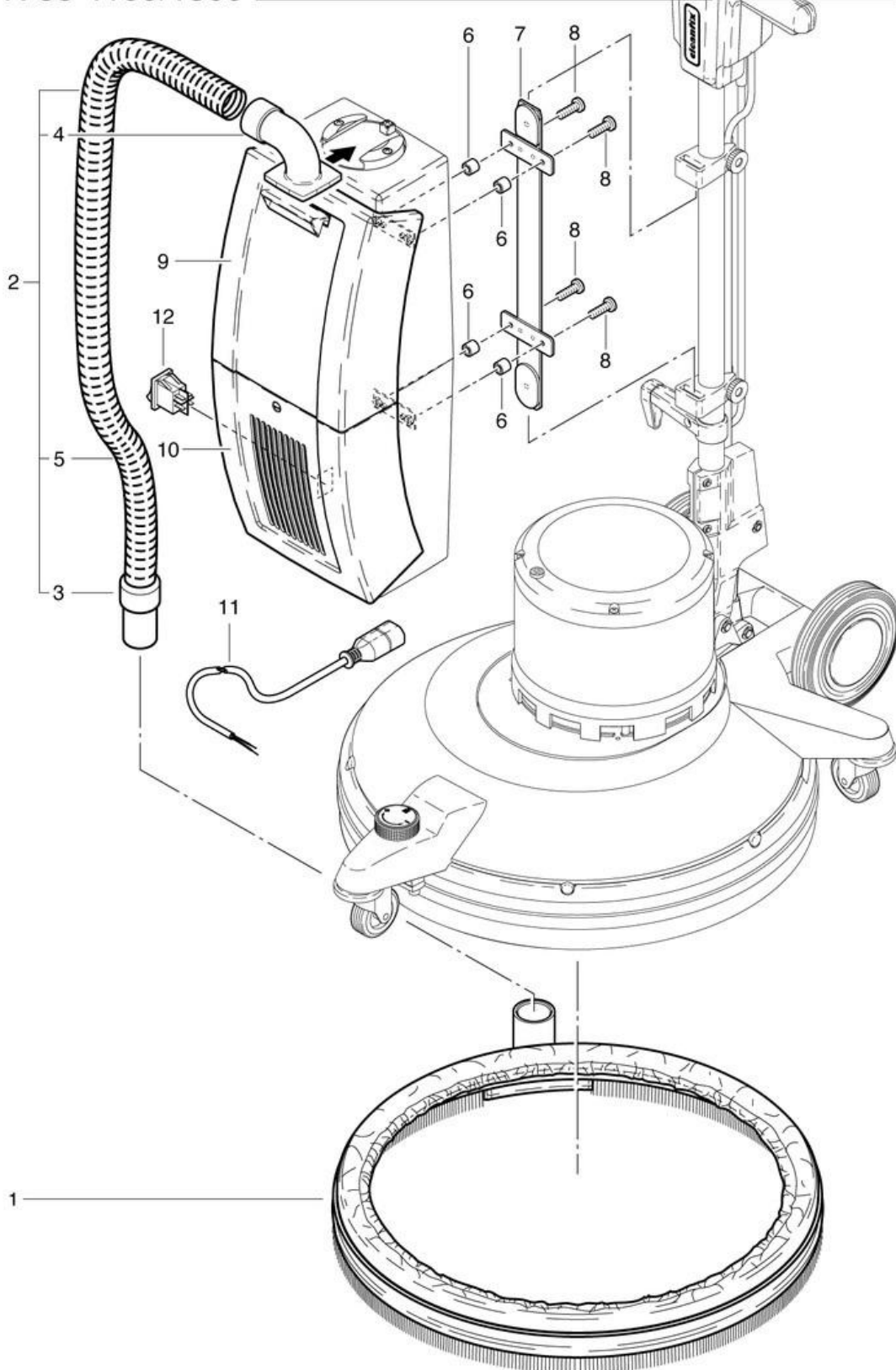


# R 53-1100 / Ultra High-Speed

## Vacuum complete

Stand: 31.03.2017 17:07

R 53-1100/1500



R 53-1100 - Ultra High-Speed - Absaugung / Anneau d'aspiration compl. / Vacuum complete  
R 53-1500 - Ultra High-Speed - Absaugung / Anneau d'aspiration compl. / Vacuum complete

B 11-12.2007  
B 10-12.2007

# R 53-1100 / Ultra High-Speed

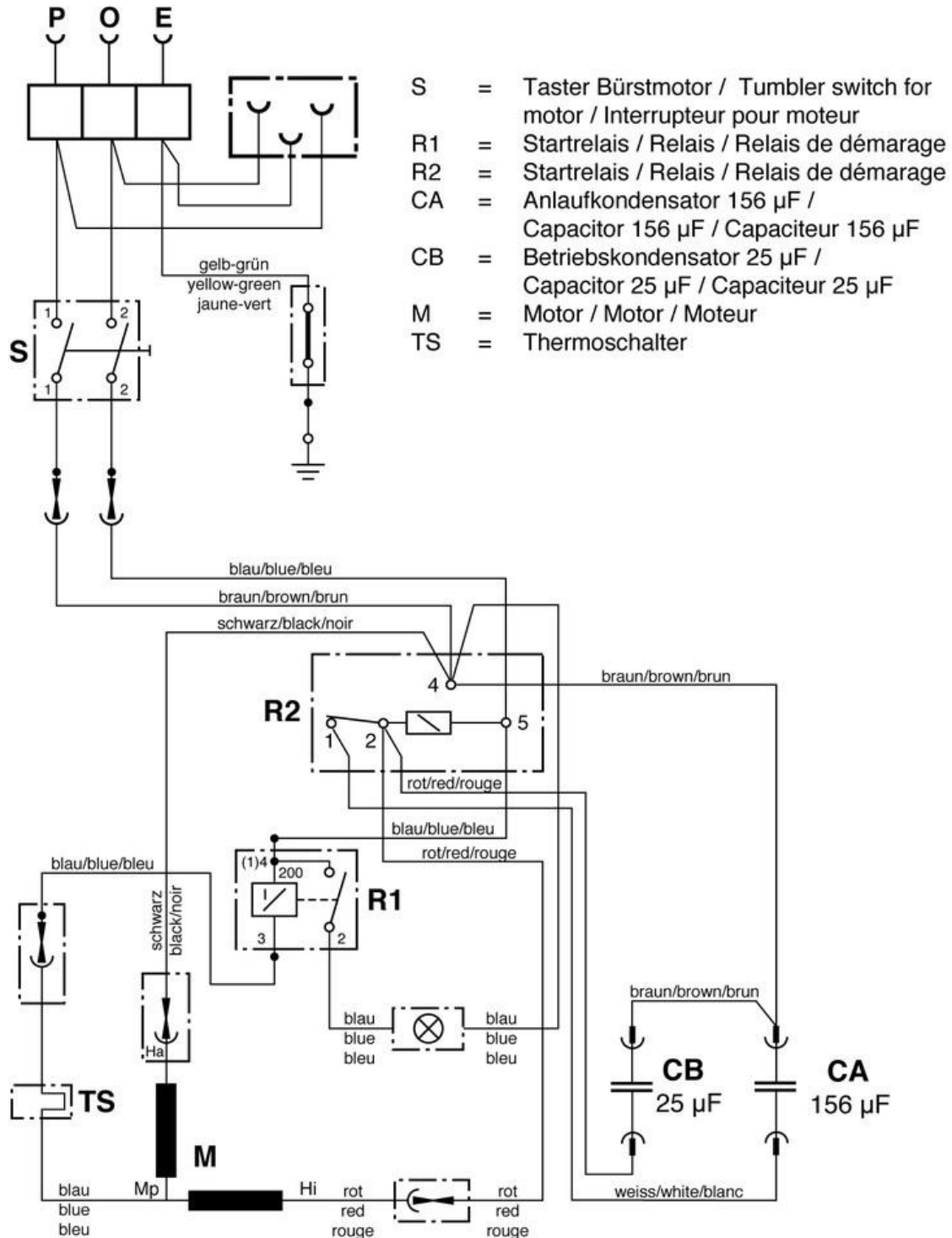
## Wiring diagram as from machine no. 8240

Stand: 31.03.2017 17:06



R 53-1100

### Stromlaufplan R 43 / R 53-1100 230-240V / 50 Hz ab Masch. Nr. 8240



# R 53-1100 / Ultra High-Speed

## Wiring diagram up to machine no. 8239

Stand: 31.03.2017 17:06



R 53-1100

### Stromlaufplan R 43 / R 53-1100 230-240V / 50 Hz bis Masch. Nr. 8239

